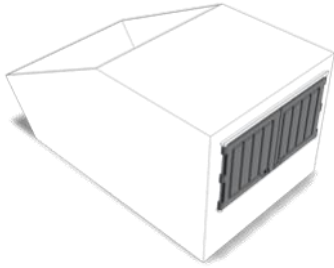


## DR3232 SIDE HINGED LIDS

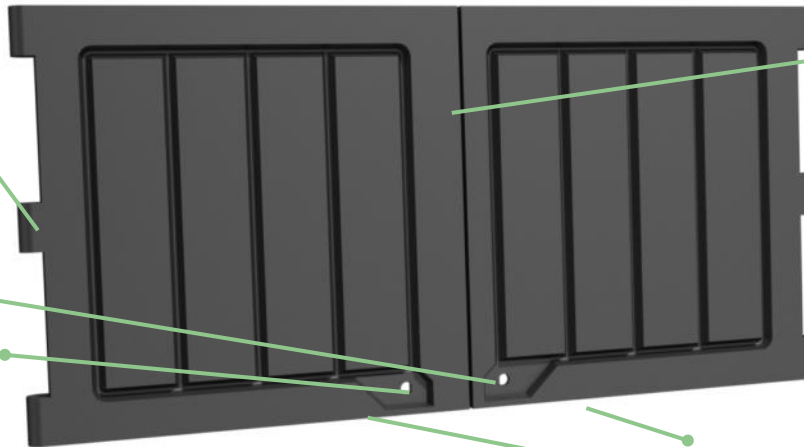
NORMALLY USED AS A PAIR OF OVERLAPPING DOORS.

*LIGHTWEIGHT - ROBUST - USER FRIENDLY - COST EFFICIENT*



3 hinges designed for **extra strength.**

Equipped to accept **patented CCE lock for security.**



Two lids used together to form an **overlapping pair prevents water ingress.**

2 mould-in handle slots **facilitate opening and closing.**

Can be used as **doors for Skips and Rolonoff containers.**

### OPTIONS

> Also available in different dimensions (DR3635 and DR3838 doors).

### AVAILABLE ACCESSORIES

> Locks

### MATERIAL

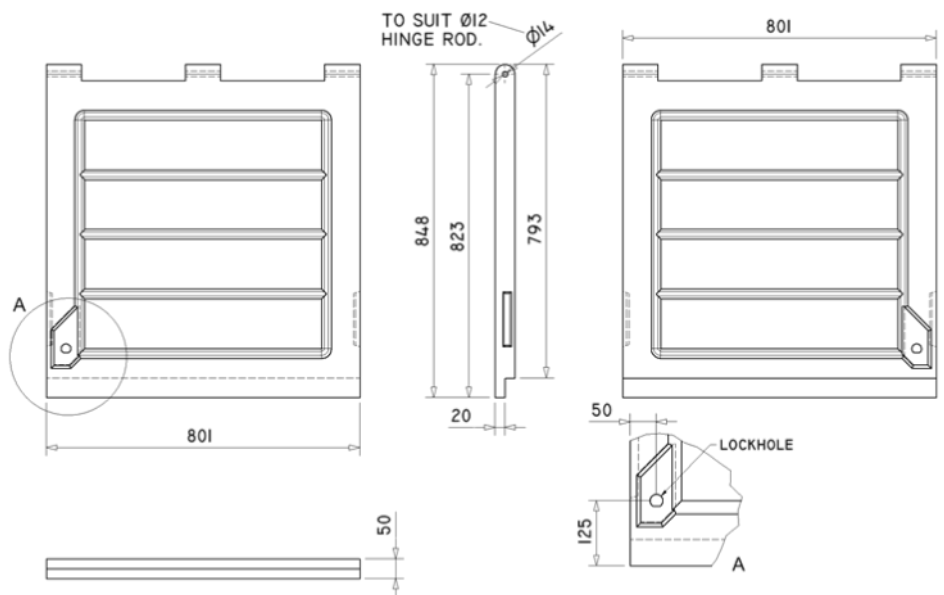
> Rotationally moulded from **UV-stabilized LMDPE; double-walled; oil, chemical and frost resistant; 100% recyclable.**

### COLOURS

> Available in **black** and a **wide variety of colours.**



## TECHNICAL DIMENSIONS



enq@duraflexlids.co.uk — 0044 1246 853696

www.containercomponents.co.uk



Cert No. 8998 - QMS 001  
ISO 9001 : 2008



Cert No. 8998 - EMS 001  
ISO 14001 : 2004